

GRAN CANARIA BEST ROADS

Western Mountains

Coasts, beaches, centuries-old pines and a mountain natural park that overlooks the ocean.

GC-21: A STRETCH OF ROAD THAT RUNS ALONG THE MOUNTAIN BEFORE REACHING ARTENARA

THE ROUTE AT A GLANCE

Overview

This itinerary will take you to explore the least touristy part of Gran Canaria, the North West. The first part of the day is dedicated to exploring the greenest and most lush area of the island, with roads winding through trees and forests that constantly change, all the way to the Tamadaba natural park. The second part is more unusual: small towns and hidden but fascinating roads, leading to a hidden and unexpected experience for those visiting the Canary Islands. Some walking is involved, but nothing demanding. Recommended only if purchased as part of a tour with other itineraries. Departure and arrival in Las Palmas.

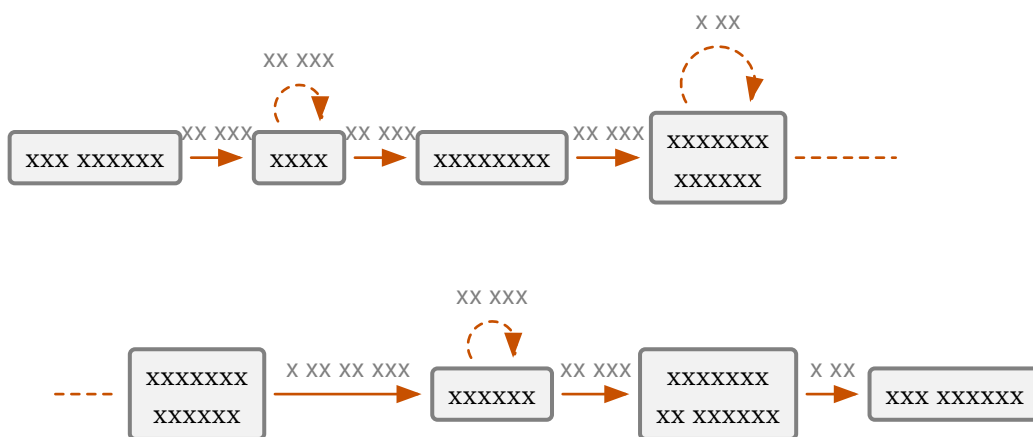
DRIVING	VISITING	TOTAL TIME	DISTANCE
4 _{h 20m}	3 _{h 30m}	7 _{h 50m}	155 _{km}

RATINGS

ASPHALT QUALITY		8
LANDSCAPE		9
ROUTE QUALITY		8

THE ROUTE

Map of the itinerary



STAGE BY STAGE

Full Description

XXX XXXXX XXXX XXX XXXXXX, XXXX X XXXX XX XXXX XX XXXXXXXXXXX. XXXX XXX **XX-X** XXXXXXXXXXX XXXX
 XXXX XXXX XXX XX-XX XX XXX XXXXXXXXXXXX XX **XXXX**. XXXX XXXX XXXX XXXX XXX XXXXXXXXXXX XXXXX
 XXXXX XX XXXX-XXXXXXXX XXXXXX, XX X XXXXXXXXXXXXXXX XXXX XXX XXXXXX XXXXXX. XXXX XXXXX
 XXXXXXXXXXX XX XXX XX XXXX: XXXX XXX XXX XXXXXXXXXXX X XXXXX XXXXX XX XXX XXXXXXXXXXXXXXXXX
 XXXXXX, XXXXXXXXXXXXXX XXX XXXXXXXXXXX XX XXX XXXX XXXX.

XXX XXX XXXXX XXX XXXX XXXXXXXX XXXX XXX'XX XXXX X XXXX XXXX XXX **XX-XX** XX XXX XXXX,
 XXXXXXXX XXXXXXXXXXXX, XXX XXX **XX-XXX** XXXXXXX XXX XXXXXX (XXXXX XXXXXXXXXXX XX XXX XXXXX
 XXXXXX XX XXX XXXXXX). XXX'X XX XXXXXX, XXXX XXXXXXXXXXX XXXXXX XXXXX X XXXX XXXXX XX XXX
 XXXXXXXX XXXXXXXXXXXXXXX XX XXX XXXXX XX XXXXXX. XXX **XX-XX** XX XXXXX XXX XXXX XXXXXXXXXXX XX
 XXXX XX XXXXXXXXXXX, XXXXX XXX **XX-XXX** XXXX XXXX XXX XXXXXXX XXX XX XXX XXXXXXXXXXX XXXXX
 XX XXXX XXXXXXXX, XXXXX XXX'XX XXXX XXXX XXX **XXXXXXXX XXXXXXXXXXX XXXXXXXXXXX XX XXX
 XXXXX**. XXXXXX XXXXX XXX XXXXXXX XXX XXXX: XXX XXXXXX!

XX XXX XXX XX XXX XXXX XXX'XX XXXX XXXXXXXXXXX XX XXX **XX-XX** XXXXX XXX XXXXXX XXXX XX XXX
 XXXXXXXXXXX XX **XXXXXXXXXX** XX XXXXXXX XXXX. XXXX XXXXX XXXXXXX, XXX'XX XXXX XXXXXXXXXXX XX
 XXX XXXXXXX XXXXXXXXXXXXXXX XX XXX XXXXX XX XXXXXX; XXX XXX XXXX XXX X XXXXXXX XX XXXXX XXX
 XXXX XXX XXXX XXXXX XX. XXXX XX XXXXXXXXXXX, XXX XXX XXXXXXX XXXXXXXX XX XXXX XXX XXXX X
 XXXXXXX XXXXXXX XXX XXXXXX, XX XXXX XX XXX XX XXX XXXXXXXXXXX, XX XXXXXXXXXXX XXX
XXXXXXXX XX XXXXXXXXXXX, XX XXXX. XXX XXXX XXXXXXXXXXX, X XXXXXXXXXXX XXXXXXXXXXX X XXXXXXX
 XXXXX XX XXX **XXXXXXXXXX** XXXXXXX XXXX. XXXXXXXXXXX, XXXXXXXXXXX XX XXX XXXXX XXXXX XX XXX.

XXXX XXX XXX XXX XXXXX, XXXXXXXXXXX XX XXX **XX-XXX** XX XXXXXXXXXXX XXX XXXXXXX XXXX XXX **XX-
 XXX**. XX'X X XXXX XXXX XXXX XXXX XXXX XXX XXXX XXX XXXXX XX XXX XXXX. XXX **XXXXXXXXXX**
 XXXXXXX XXXX, XX XXX XXXXX-XXXX XX XXX XXXXXXX, XX XXX XX XXX XXXX-XXXXXXXX XXXXX
 XXXXX XX XXX XXXXXX, XXXX XXXXXXXXXXX XXXXXXXXXXX XXXX XXXXXXX XXXXXXXXXXXXXX XXXX XXX XXXXX
 XXXX XXXXXXX XXX XXX. XXX XXXXXXXXXXX XX XXXXXXX XX XXXX XXXXXXXXXXX, XXXXXXXXXXXXXXX
 XXXXXXXXXXXXXXX XXX XX XXXXXXXXXXX XXXXXXX XXXXX XXXX XXXXXXX XXXXXXXXXXXXXXX XXXXX XXXX XXX
 XXXXX XXX XXX XXXXXXXXXXXXXXX XXXXXXX. XXXX XXXXXXX XX XXXXXXX XXXXXXXX, XXXXX XXXXXXXXXXX
 XXXXXXX XXXXXXX XXX XX XXXX XX XXX XXXXXXXXXXX XXXXXXX XXX XXX XXXXX XXXXXXXXXXX XXXXXXXX
 XXXXXXXXXXX XXXXXXX XX XXX XXXXXXX XXXXXXXXXXX XXX XXX XXXXXXX.

XXX XXXX XX XXXX, XXX XXX XXXXX XXXXXXX XXXX XXXXX XXX XXXX XXXXXXX. X XXXXXXX XXX XXXXX
 XX XXXX XXXX: XXXXXXX XXX XXXXX XXX XXX **XXXX XXXXXXXXXXXXX** (XXXXXXXXXXXX XXXX), XXXXXXX
 XXX X XXX XXXXXXX XXXXXXX XXXX XXX XX-XXX, XXX XX'X XXXXX XXXXXXXXXXX XXXXXXXXXXX. XXXX
 XXX XXXXXXXXXXX XXXX XXXXX'X X XXX XXXX XXXXX XXX XXX XXXXX XXXX XXXXXXXXXXX. XXX
 XXXXXXXXXXX XXXX XX XXXX XXXX XXXXXXXXXXX, XXXX XXXXXXX, XXXXXXX, XXXXXXX XXXXX XXX XXXX
 XXXXXXX XX XXXXX XXX XXX XXXX. XX XXX XXXXX XXX X XXXXXXX XXXXX, XXXX XX XXXX. XXXX
 XXXXXXX XXX XXXXX XX XXXX XX XXX **XXXXXXXX XXXXXXX XX XX XXXXXXX**. XX'X X XXXX XX XXXXX
 XX XXXXXXX XXX X XXXXXXX XXX XXX XXXXXXXXXXX XXXX XXXXX XXX XXX XXXXXXX.

XXXX XXX XXXXX XXXXX XX XXXX, XXX XXXX XX XXXXXXXXXXX XX XXX **XX-XXX** XXXXX XXXX XXXX XXX
 XXXX XXXX XXX **XX-XXX** XX XXX XXXXXXXXXXX XX XXXXXXX. XXXXXXX, XXXXXXX XXXXXXXXXXX XX XXXX,
 XXX'XX XXXX XX XXXX XXX **XX-XXX** XX XXX XXXXXXXXXXX XX XXXXXXX. XX'X X XXXXXXXXXXX XXXX,

XXXXXXXX XX XXX XXXXX XXXXXX. XX XXXXX XXXXXXXX XXXXXXX XXX XXXXX XXXXXXXX,
 XXXXXXXXXXXXXXXX XX XXX XXXXXXXXXXX XX XXXXXXX XXXX XXX XXXXXXXXXXXX XXXXX XXXX XXXXXXX XXXX
 XXXXXXXXXXXXX XXXXXXXXXXXXX. XXXXXXX XXX'XX XXXX XXXX XXX **XX-XXX** XXXXX XXX XXXXXXX XXXX XX
 XXX XXXXXXXXXXXX XX XXXXXXX. XX XXX XXX'X XXXX XXXXXXXXXXXXXXX XX XXXXXXXXXXX XXX XXX XXXXXXX
 XXXXX, XX XXXXXXX: XXXXXXXXXXX XX XXX XX XXXXXXXXXXX, XXXX XX XXX **XX-XX** XXXXX XXX XXXXX X
 XXXXX XXX'XX XXXX XXX **XX-XXX** XX XXXX XXXX. XX XXX XXXX, XX XXX XXX XX XXX XXXX XXX'XX
 XXXXXXX XX XXX XXXX XX **XXXXXXXX**. XXXX XXXX XX XXX XXXXXXX'X XXXX XXXXXXX XXXXXXX XXXXXXX
 XXXXXXXXXXX XXX XXXXXXXXXXXX, XXX XX XXX'XX XXX XX XXXX XX'X XXXXXXX XX XXXX XX XXXX.

XXXXXXXX XXX XXXX XXXX XX XXXXX XXXX XXXX XX XXXXXXX, XXXXXXXXXXX XX XXX XXXX XXXX XXX XXXXX
 XX XXX XXXXXXXXXXX XXXXXXX XXXX. XXXXX XXX XXXX XXXXXXX, X XXXXXXX:

- X XXXXX XX XXX XXXXXXXXXXXXXXXXXXXX XXXXXXX
- X XXXXXXX XXXXXXXX XXX XXXX XXXXXXX
- X XXXXX XX XXX XXXXXXXXXXX XXXXXXX
- X XXXXX XX XXX XXXXXXX XXXXX
- X XXXXX XX XXX XXXXXXXXXXX XXXX XX XXXXXXX XX XXX XXXXXXX

X'X XXXX XX XXXXXXX X XXXXXXX XXXXXXXXXXXX XXXX XXX: XXXX XXX XXXX XXXXXXX XXXX XXX **XX-**
XXX. XX'X X XXXX-XXX XXXX XXXX XXXXXXX XXXXX XXX XXXXXXXXXXX XX XXXXXXX XXX XX XXXXXXXX
 XXXX XXXX XXX XX XX XXXX XXXXX XXX XX-XXX XXX XXXX XX XXX XX XXXXXXX. XX XXX XXX XX XXXX
 XXXX XXX'XX XXXX XXX **XXXXXXXX XX XXXXXXX** XXX XXX **XXXXXXXX XXX XXXXXXXXXXXXX**. XX'X X XXXX
 XXXX, XXXXX XXXXX XXXXXXX, XXXX XXXXXXX XXXXXXX XXXXX XXX XXXXXXXXXXX: X XXXXXXX XX XXX
 XXXXXXX XXXXXXX.

XXXXXXXXXX XX XXX XXXX XXX XXXX XXXXX, XXX XXX XXXX X XXXXX XXXX, XX XXXXXXX, XX XXXXX
 XXXXXXX XX XXXX XXX XXXXXXX XX **XXXXXXXX XX XXX XXXXXXX** XX XXXXXXXXXXX XX XXX XXXXXXXXXXX XX
XXX XXXXXXX. XXX XXXXXXX XX XXXXXXX XX XXX XXXXXXX XX XXXXX XXX XXXXXXXXXXX, XXXX XXXXXXX
 XXXXXXXXXXXXX XXXXXXXXXXXXX XXX XXXXXXX XX XXX XXXXX XXXXXXXXXXX. XXX X XXXXXXX, X XXXXXXXXXXX
 X XXXXXXX XXXX XXXXXXXXXXX, XXXXX XX XXXX XXXXXXX XX X XXXXXXX: **XXXXXXXX XXXXXXXXXXX XXXX**.
 XXXXXXX XXXXXXXXXXXXX XXXXXXXXXXXXX, XXX XXXX XXXXXXXXXXX, XX **XX XXXX XX XXXX**.

XX XXXXXXX XX XXX XXXXXXX, XXX **XX-X** XX XXXXXXXXXXXXX X XXXXXXX XXXXXXX XXX, XXXXXXX XXXXX X
 XXXXXXXXXXX, XX'X XXXX XXXXXXXXXXX, XXXXX XXXX XXX-XXX XXXXX XXXX XXX XXXXXXX XXX XXXXXXX XX
 XXX XXXXX. XX XXXXX XXXX XX XXXX XX XXXX XX XXXX XXXXXXXXXXX XXX XX XXX XXXXXXX XXX XXX
 XXXXXXXXXXXXX XX XXXX XXXXXXXXXXX. XX XXX XXX XXXX XXXXX XXX XXXXX XXXX XX XXXX XXXXXXX, XX
 XXXXXXX XXXXXXXXXXXX XXXX X XXXXXXX X XXXXXXX XXXXXXX XXXXX XXX: **XXXXXXXXXX XX XXX**
 XXXXXXXXXXXXXXXX XX **XX XXXXXXX**.

IN ORDER OF APPEARANCE

The roads you will ride

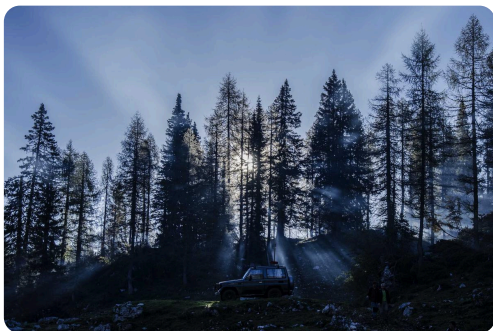
XX-X

RATING: 7 / 10

xx'x xxx xxxxxxxx xx xxx xxxxxx xx xxxx xxxxxxxx, xxx xxx'x xx xxxxxxx: xx xxxx xxxxxxxx
xxxx xx xxxxxxxx xxx xx xxxxxxxxxxxx!! xx xxxxxxxxxxx xxxxx'x xxxxx xxx xx xxxxx
xxxxx, xxx xx xxxxxxx xxxx xxxxxxxxxxxxxx xxxxx, xxxxxxxxxxxx xx xxxxx, xx xxxxxxx xxxxxxxx
xxxx xxxxxxxxxxxxxxxxxxx xxxxxxxx, xxx xxxx xxxxxx xxxxxxxxxxxxxx xxx xxxxxxxxxxx xxxxxxxx, xxxxx
xx xxxxxxxxxxx xxx xxxxxxx xx xxx xxxxxxx, xxx xxxxxx xx. xx xxxxxxxxxxx, xxxxxxx xxxx xxxx xx
xxxx xxxxxxxx xxx'xx xxxxx xx xxxxxxx xxxxxxxxxxxxxx, xxx xx xxx'x xx x xxxxxxx xxxxxxxxxxxx
xx xxx, xxxxx xxx xxxxxxxx!

XX-XX

RATING: 9 / 10



GC 75: SIMPLY PUT, A PRACTICAL EXPLANATION OF WHY GRAN CANARIA IS A MOTORCYCLIST'S PARADISE

XXXXXXXXXX XXXX XXXXXXXXXXX XX XXXXXXXXXXX XXXX
XXXXXXXX XXXX XXX XXXXXXXX XXX, XX X XXXXXXX XXXX
XXXX XXXX XX XXXX, XXXX XXXX XXX XX XXX XXXXXXXX
XXXXXXXXXXXXX XX XXX XXXXX XX XXXXXXX XX XXXX
XXXX XXXXXXX XX XXXXXXXX. XXXXXXXX XXXXXXX, XX
XXXXXXXX XXXXXXX XXX XXXX XX XXX XXXXXXX: XXXX
XXXXXXXXX, X XXXXXXX XXX XXXXXXX, XXXXXXX XX XXX XXXXXXX
XX XXXXXXX, X XXXXXXX XXXXXXXX XXXX, XXXX, XXX
XXXXXXXXXXXX XXXXX XXXXX XXX XXXXX XXXXX XXX
XXXXXXXXXXXXXXXX XXXX XXXX XXX XXXXX XXX XXXXXXXX
XXXXXXXXXXXXX XX XXX XXXXX XX XXXXXXX. XXXXX XXX
XXX XXXXXXX XXXX XXXXXXX XX XXX XXXXXXX
XXXXXXXXXXXX XXXXX. xx'x xxx xx xx xxxxxxxxxxxx

xxxxx xxx x xxxxxxx xxx xx xxxxx xx xxxxxxx, xxxxx xxx xxxxxxxx xxxxxxxx xxx xxxxxxxxxxxx.
xxxxxxxx, xxxxxxx xxxxxxxx xx xxxxxxx xxxxxx xxxxxxxxxxxxxx xxxxxx, xxxxx xxx xxxxx xxxxxx
xxxxxxxx xxx xxx xxx xx xxx xxxxx.

XX-XX

RATING: 8 / 10



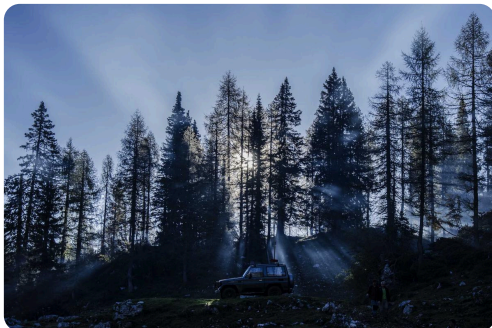
GC 21: CLOSE-UP OF THE VEGETATION IN THE NORTHERNMOST, LOW-ALTITUDE AREA NEAR TEROR

XXXX XXXX XXXX XX XXX XXXXX XX XXX XXXXXX,
XXXXXX XX XXXX XX XXXXXXX. XX XXXXX XXXXXXXX XX
XXXX XXXXXXX, XXXX XXXX XXX XXX XXXXX. XXXXXXX
XXXXXX XXXXXXXX XXXX XXXXXXXXXXXXXXX, XXXX XX
XXXXXX XXXXXXXX XXXX XXXXXXXXXXXXXXX XXXXX, XX
XXXXXXXXXXXX XXXXX, XXX XXXXXXX XXXXXXX
XXXXXXXXXXXX XX XXX XXXXX XXXXXXX XXXX XXXXX
XX XXX XXXXXXX XXXXXXX XXXXXXXXXXXXXXX XX XXXXX XX
XXXXXX XX XX XXXXXXX. XXXX XXXX XXXX XX
XXXXXX X XX/XX. XX'

X XXX XXXXX XXXXX XXX XXXXX XXXXX, XXX XXX XXXX XXXX XX XXXXX XXXXXXXXXXX XXX XXXXX XXXX
XXXX XXXX XXXXX XXXXXXX XXXXXXXXXXX XXXXX XXX X XXXXXXXXXXX XXXXXXXXXXX. X XXXXXXX: XX'X
XXXXXX XXXX XXXX XXX XXXXXXX XXXXXXX, XX XX'X XX XXXXXXXXXXX XXXXXXX XX X XXXXXXX XXXXX.

XX-XX

RATING: 7 / 10



GC-70: A SERIES OF CURVES THROUGH THE CONIFEROUS FOREST

XXXX XXXX XXXX, XXX XXXXXXX XX XXX XX-XX. XXX
XXXX XXX XX XXXXXXX XXXX XXX XXXXX: XXX XXXXX,
XXXX XXXXXXX XX XXX XXXXXXX XXXXXXXXXXXXXXX XX XXX
XXXXXX XX XXXXXXX, XX X XXXX XXXX'X XXXXXXX
XXXXXXXXXX, XXXXXXX, XXXX XXXXXXX XX XXX XXXXX
XXXXX'X XXXX XXXX, XXX XXXXX XXXXXXX XXXXXXX
XXXX XXXXX XXXXXXXXXXX XXXXXXX XXXXXXX XXXXXXX.
XXX XXXXXXX XXXX XXXXXXX, XXXX XXXX XXXXXXX XX
XXX XXXXXXX XXXXXXXXXXXXXXX XX XXX XXXXX XX
XXXXXX, XX X XXXX XXXX XXXXXXXXXXX XXXX,
XXXXXXXXXX XX XXXXXXX, XXXX XXX XX XXXXX.
XXXXXXXX, XXX XXXXX XXXX XXX XXXXXXX XX XXXXXXX

XXXX XXX XX-XX, XXXXX XXXXXXX XXXX XXX XXXXX X XXXXX XXXXXXXXXXX XXXX XXX XXXXXXXXXXX XX XXX
XX-XX XXX XXXXXXX XXXXX XXXXXXX. XX XXX XXX, XXXXXXX XXX XXX XXXX XXXXX.

XX-XXX

RATING: 7 / 10

XX XXXXXXX XXXX XXXXXXX XXX XXXXX XX XX XXX XXXXXXX XX XXXXXXX. XXXXXXXXXXX XXXX
XXXXXXXXXX, X XXX XXXX XXXXXXXXXXX XXXX X XXXXXXX XXXXX XX XXXX, XXXXXXX XXXXXXX XX XXX
XXXXXXXXXX XXX XXXXXXX. XXXXXXXXXXXXXXX XX'X X XXXX-XXX XXXX, XX XX XXX XX XX XXXXXXX XXXXX
XX XXX XXXX.

XX-XXX

RATING: 9 / 10



GC 210: A GLIMPSE OF THE WINDING ROADS AND THE VALLEY BETWEEN ARTENARA AND TEJEDA

XXXX XXXXXXXXXXX XXX XXXX-XXXX XXXX XXXX
 XXXXXXXXXXX XXXXXX XX XXXXXXXXXXX XXX XXXX
 XXXXXXXXXXX. XXXXXXXXXXXXXXX XXXXX XXXX XXXXXXX
 XXXXXXXXXXXXX, XXXX XXXXXXXXXXX XXXXX XX XXXXX.
 XXXXXXXXXXXXXXX XXX XXXXXX XXXX, XX XX XX XXXXXX,
 XX XXX XX XXX XXXX XXXXXXXXXXX XXX XXXXX-
 XXXXXXXXXXX XXXXX XX XXX XXXXXXX. XX'X
 XXXXXXXXXXX XX XXXX XX XXXXXXXXXXX XXXX XXXXXXX
 XXX XX XXXXX XXX XXXX XXXXX, XXXXXXXXXXX XXX XXXX
 XXXXXXX XXXXXXXXXXX. XX XXX XXXXXXXXXXXXXXX XXXX
 XXX XXXX XXXX XX XXXXXX XXXXXXXXXXX, XX XXX
 XXXXXXX XXXXX XXXX XX XXX XXXXXXXXXXXXXXX XXXX.

WHERE TO STOP

Points of Interest



THE DISTINCTIVE CHURCH OF MOYA, PERCHED HIGH ABOVE THE RAVINE OF THE SAME NAME

XXXX

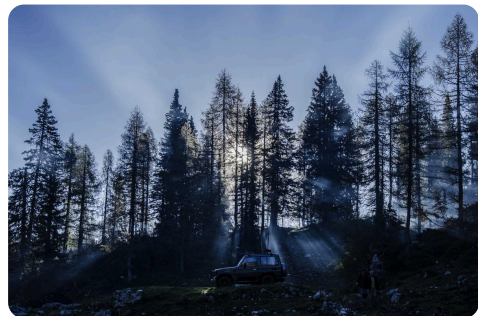
28.07° N, 15.55° W

XXXXXXXXXXXXXXXXXXXX XX XXX XXXXX XXXX
XXXXXXXX XXXXX XXX XXXXXXXXXXXXXXXXXXXX.
XXXXXXXXXXXX XX XXXX XXXXXXXXXXXXXXX XXXX XXXXXXXX
XXXXXXXX XXXXX XXXXXXXXXXXXXXXXXXXXXXXXXXX XXXX XX
XXXXXXXXXXXXXXXXXXXX.

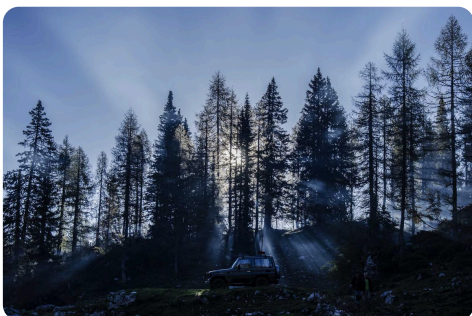
XXXXXX

28.07° N, 15.7° W

XXXXXXXXXXXXXXXX XX XXX XXXXXXXXXXXXXXXXXXX XXXX XXXX
XXXXXXXXXXXXXXXX. XXX XX XXX XXXXXXXXXXXXXXXXXXX XX
XXX XXXXXXX XXXX XXXXXXXXXXXXXXXXXXXXXXXXXXXXXXXXXXX. XXXX
XXXX XXX XXXXXXX XX XXXXXXXXXXX XXXX X XXXXXXXXXXX
XXXXXXXXXXXX.



THE CITY'S CHARACTERISTIC NARROW STREETS



A VIEW FROM THE PROMENADE, OVERLOOKING THE CLIFFS

XXXXXXXX XX XXX XXXXXXX

28.1017° N, 15.7106° W

XXXXXXXXXXXXXXXX XX XXX XXXXXXXXXXXXXXXXXXX XXXX XXXX
XXXX XXXX XX XXXXXXXXXXX. XXXXXXXXXXXXXXXXXXXXXXXXXXX
XXXX XXXXX XXXXXXXXXXXXXXXXXXX. XXXXXXXXXXXXXXXXXXXXXXX
XXXXXXXXXXXXXXXX XXXX XXXXXXXXXXXXXXXXXXXXXXXXXXXXXXX.

XXXXXXXXXXXXXXXXXXXX XX

XXXXXX

28.05° N, 15.55° W

XXXXXXXXXX XXXXXXXX XX XXX XXXXXXXXXX XXX XXXXXXXX
XX XXXXXXXXXX XXXXXX. XX XXXXXXXX X XXXXXX XXXX XX
XXXXXXXXXX XXXXXXXXXXXXXXXXXXXX XXXX XXXXXXXX XXXXXX
XXXXXXXXXXXXXXXXXXXX. XXXXXX XXXXXXXXXXXX XXX
XXXXXXXXXXXXXXXXXX XXXXXXXXXXXXXXXX XX XXX XXXXXX XXX.



MIRADOR ASTRONÓMICO DE PINOS DE GÁLDAR: A VIEW OF TENERIFE

XXXXXXXX XX XXXXXXXX

28.07° N, 15.7° W

XXXXXXXXXX XX XXX XXXXXXXXXXXXXXXX XX XXXXXXXX XXXX XXXXXX XX XXX XXXX XXXXXXXXXXXXX XXXXXX.
XXXXXXXXXXXXXXXX XXXXXXXXXXX XXXX XXXX XXXXXXXX XXXX XXX XXXX XXXXXXXX.

XXXXXXXX XX XXXXXXXXXXXX

28.021° N, 15.647° W

XXXXXXXXXX XX XXX XXXXXXXXXXXXXXXX XX XXXXXXXX XXXX XXXXXXXXXXXXXXX XXXXXX XX XXXXXXXXXXXX, XXXX
XXXXXXXXXX XXX XXXX XXXXXXXXXXXXXXX. XXXXXX XXX XXXXXXXXXXXXXXX XXX XXX XXXXXXXXXXXX XXX XXXXXXXXXXX
XXXXXXXXXXXX XX XXX XXXXXXXXXXXX XX XXX XXXXXXXX.

XXXXXXXXXX

28.0201° N, 15.6466° W

XXX XXXXXXXX XXXXXXXXXXXXXXXX XXXX XXX XXXXXXXX XXXXXXXXXXXXXXX XX XXXX XXXXXXXX, XX XXXX
XXXXXXXX. XX XXXXXXXX XXXXXXXXXXXXXXX XXXXXXXXXXXXXXX XX XXXX XXXXXXXX, XXXXXXXXXXX XXX XXXXXXXXXXX
XXXXXXXX. XXXXXXXX XXXXXXXX XXXX XXXXXXXXXXXXXXX XXXXXXXXXXX XXXXXX.

WESTERN MOUNTAINS — GRAN CANARIA BEST ROADS
END OF THE ROUTE. SEE YOU ON THE NEXT ONE