

GRAN CANARIA BEST ROADS

Cities and mountains of the north

*An itinerary dedicated to the towns and roads of the North
Eastern part of Gran Canaria, between history and nature.*

MIRADOR ASTRONÓMICO DE PINOS DE GÁLDAR: A VIEW OF TENERIFE

THE ROUTE AT A GLANCE

Overview

The itinerary will take you to towns and roads in the North Eastern part of Gran Canaria, between history and nature. A journey crossing the mountainous heart of the island, between curves that open onto surprising panoramas and small villages suspended in time. Houses with wooden balconies overlook quiet squares, and the views sweep across deep valleys and volcanic profiles that tell the story of nature's power. An invitation to calm, to savour the slow rhythm of rural life. It's a route that combines the authenticity of the villages with the grandeur of the landscape, leaving the impression of having discovered the truest essence of the island. Recommended only if purchased as part of a tour with other itineraries. Departure and arrival in Las Palmas.

DRIVING

3 h 30m

VISITING

5 h 30m

TOTAL TIME

9 h

DISTANCE

140 km

RATINGS

ASPHALT QUALITY



9

LANDSCAPE



9

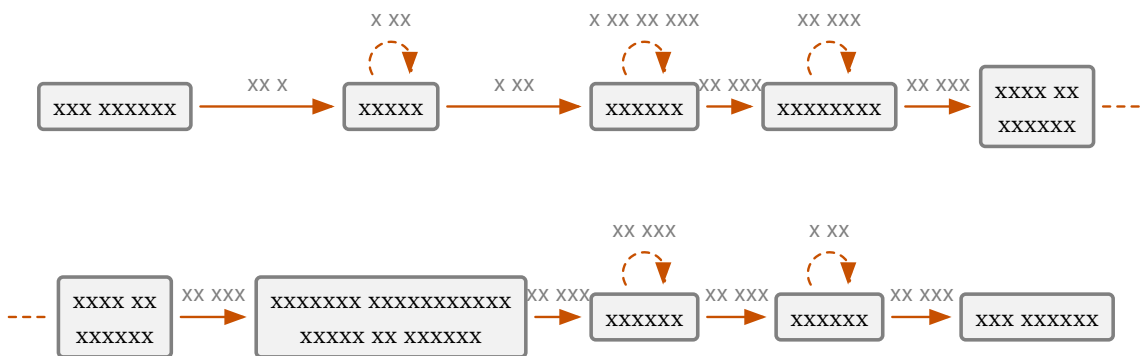
ROUTE QUALITY



9

THE ROUTE

Map of the itinerary



STAGE BY STAGE

Full Description

XXX XXXXX XXXX XXX XXXXXX, XXXX X XXXX XX XXXX XX XXXXXXXXX.

XXXXX XX XXX **XX-X** XXX XXXX XXXX XXX **XX-XX** XX XXX XXXXXXXXXXXX XX **XXXXXX**. XXX XXXXXX XX
 XXX XXXXXXXX XXX XXXXXXXXXXXXXXXXXXXX XXXXXXXXXXXX XXXXXXXX XXX XXXX XXXXXXX XXXXXXX,
 XXXXXXXXXXXX XXXX XXXXXXXXXXXX XXXX XX XXXXX XXXXX. XX XXX XXXXXXX XX XXX XXXXXXX XXXXXXX
 XXX XXXXXXXXXXX XX XXX XXXXXXX XX XXX XXXXX. XX XXX XXXXX X XXXXX-XXX XXXX, XXX XX XX XXXXX
 XX XXXXXXX, XXX XXX XXX XXXXXXXXXXXXXXX XXXXXXX XXXXXXX XXXXX. XX XXX XXXX, XXX XXX XXXXXXX XXX
 XXXXX XX XXX XXXXXXX, XXXXX XXXXX XXXX XX XXXXXXXXXXX XXXXXXXXXXX XXXXXXXX.

XXXXX XXX'XX XXXX XXXXX, XXX XXXXX XXXXX XX XXX XXXXXXXXXXXXXXX. XXXX XXX XX XXX XXXXXXXXXXX
 XX XXXXXXXXXXX XXX, XX XXX XXXX, XXXXX XXX **XX-XX**. XXXX XXXXX XXXXXXXXXXX, XXXXXXXXXXX XXX
 XXXXX XXX XXXXXXX, XX XXX **XX-XXX** XXX XXXX **XX-XX** XX XXX XXXXXXXXXXX XX **XXXX XX XXXXXXX**.
 XXXX XXXX XX, XXX XXXX XXXXXXX XXXXX: XXXXXXXXXXX XX XXX **XX-XX** XXX XXXX XXXX XXXX XXXX
 XXX XX XXX XXXXXXXXXXX XXXX XX **XXXXXXX**, XXXXX X XXXXXXXXXXX XXXXXXXXXXX XXX XXXXX XXX
 XXXXXXXXXXXXX XX XXXXXXX: XXXXX XXXX'X XXXX XXXXXXX XXXXXXXXXXX XX XXXX XXXX. XXX XXXXXXXXXXXXXXX
 XXXXXXXXXXXXXXX XX XXX XXXXXXX XXXXX XXXXXXX XXX XX XXX XXXX XXXXXXXXXXXXXXX XXXXXXXXXXX XX XXX
 XXXXXXX. XXXX XXXX XXXX XXXX XX XXXXX XXX XXXX, XXXXXXXXXXXXXXXXX XX XXXXX XXXXX XXXXXXX
 XXXX XXXX XXXX XXXXXXXXXXX, XXXX XXXXXXX XXX XXXXXXX XX XXXX XXXXXXX. XXXXXXX XXXXXXX XXX
 XXXXXXX XXX XXXXXXX, XXXXX XXX XXXXXXXXXXXXXXX XXXX-XXX XXXXXXXXXXX XXX XXX XXXXXXX
 XXXXXXXXXXXXX, XXXXXXXXXXX XX XXX XXXXXXXXXXXXXXX XXXXXXX XX XXXXX XXXXXXX. XXX XXXXX, X'X
 XXXX XX XXXXXXXXXXX XXXX XXXXXXXXXXX: **XXXXXXXXXXXXXXXX XXXXXXX**. XX XXXXXXX X XXXXXXXXXXX XXXX
 XXX XXXX XXXXXXXXXXX XX XXXXXXX XXXXXXX XXXXXXXXXXX, XXXXX XXX XXXXX XXXXXXX XXXXXXX XXX
 XXXXXXX XX XXXXX.

XXXXX XXXXXXXX XXX XXXXX XXX XXXXXXX, XX'X XXXX XX XXX XXX XXXXX. XXX XX'XX XXXXXXX X XXX
 XXXXXXXX XXX XXXXXXXXXXX XX XXXX XXX XXX XXXX XXXXX: XX XXXXXXX XXX XX XXXXX XXX XXXXXXX
 XXX XXXX, XX XX XXXXX XXXX XXX XXXX XXXXXXXXXXX XXXXXXXXXXX XX XXXXXXX XXX XXXX XXXX
 XXXXXXX XXXXX.

XXXXXX XXX XXXXX XXX XXXXXXXX XXX XXXX XXX **XX-XXX**. XXX XXX XXXXXXX XXXXXXXX XX XXXX XX
 XXXXXXXX XXX XXXX X XXXXXXX XXXXXXXX XXX XXXXXXX, XX XXXX XX XXX XX XXX XXXXXXXXXXX, XX
 XXXXXXXXXXXXX XXX **XXXXXXXX XX XXXXXXXXX**, XX XXXX. XXXX XX XXXXXXXXXXX, XXXX XXX **XX-XX** XX
 XXX XX XXXXXXX XXXXXXXXXXXXX XX XXX XXXXX XX XXXXXXX, XXX XXX'X XXXX, XX'XX XXXX XXXX
 XXXXX. XXXXXXX, XXXX X XXXXX XXXXX XXXX XXX **XX-XXX** XX XXX XXXXXXXXXXX XX XXXX XX XXXXXXX.
 XXXXX XXXX: XXX XX XX XXXXXXXXXXX XXXXX! XXXXXXX XXX XXXX XXXXXXX, XXX XXXXX XX XXXX XXXXX
 XXXXXXX XXX XXXXXXX: XXXXX XXX XXXXXXXX XXXXX XXX'XX XXXX XXXXX XXX XXXXX XX XXX
 XXXXXXXXXXX, XXXX XXXXX XXXXX XX XXX XXXXX XXX XXXX, XXXXX XXXXXXXXXXXXX XX XXXXXXXXXXX,
 XXXXXXXXXXX XXXXXXXXXXXXXXX XXXXXXXXXXXXXXX XXXX XXX XXXXXXX, XXXXXXXXXXX
 XXXXXXXXXXX XXXXXXX! X XXXX XXXXX XXXXX.

XXXXX XX **XXXX XX XXXXXXX**, XXXX XXXX XXXX XX XXXXX XXX XXX XXXXXXXXXXX XXX XXXXX XXX XXXX
 XXXX XXX XXXXXXX. XX XXXXX XX X XXXX XXXXXXXXXXXXXXX XXX X XXXXXXXXXXXXXXX XX XXX XXX: XXXX
 XX'X XXXX XXXX XXX XXXX XXXXX.

XXXX XXXX XXX XXX XXX XXXXX XXXXXXXX XXXXXXXX XXXXXXXXXXXXXX XX XXX XXXXX XX XXXXXXX, XXX
 XXXXX XXX XXXXX XXXXXXXXXXXX XX XX XXX XX XXXXXXX XXX XXXX XXXX. XXXX XXX **XX-XX** XXXXXXXX
 XXX XXXXXXX, XXXX XXX **XX-XXX** XXXXXX XX X XXXXXXXX XXXXX XXXXXXXX **XX-XXX**, XXX XXXXXXXX
 XXX'XX XX XXXX XX XXX **XX-XX**, XXXX XXXX XX XXX XXXXXXXXXXXX XX XXXXXXXXXXX, XXXXX, XXXX XXXXX,
 XXX **XXXXXXXXXXXXXXXXXXXX** **XX XXX XXXXX XX XXXXXXX**. XXXX XXXX XXX XXX XXXX XX XXXXXXX
 XXX XXXX XXXX XXX XXXXX XXXXXXXXXXX XXXX XX XXXX XXXXXXXX XXX, XX XXX XXXX, XX XXX XX
 XXXXXXXX!

XXXX XXXX XXX XXXXX XX XXXXX XXX **XX-XX** XXXXXXXX **XXX XXXXXXX** XXXXX XXX XXXX XXX XXXXX
 XXX **XXXXXXXX**. XXXXX XX XXX "XXXX XX XXXXX", XXXXXXX XXXXXXXXXXXXXX XXXXX XXXX XXX XXXXXXX
 XXXXXXXXXXX XXXXXXXXXXX XXXXXXXXXXX XX XXXXXXXX XXXXXXXXXXX XXXXX, XXXXXXXXXXXXXX XXXX XXX
 XXXXX XX XXXX XX XXX XXXXXXXXXXXXXXXXXXXX XX XXX XXXXXXX.

XXXX XXXX XXX **XX-XX** XXXXXXXX **XXXXXXXX**. XX XXX-XXXXXXXX XXXXXXX, XXXXX XX XXXXXXXX
 XXXXXXX XX XXX XX XXX XXXX XXXXXXXXXXXXXXX XXXXX XX XXX XXXXXXXXXXXXXXX, XXXX X XXXXXXXXXXXXX
 XXXXXXXXXXXXXXXXXXX XXXXXXXXXXX XXXXXXX XXXX XX XXXXX XXX XXXXXXXXXXXX XX XXX XXXXXXXXXXX XXXXXXX
 XX XXX XXXX XXXXXXXX, X XXX-XXXXXXXX XXXXXXXXXXXXXXX XXXX XXXXX XXXXXXXXXXX XXXXX XX XXX XX
 XXXXXXXXXXX XXX XXXXXXXXXXX. XX'X XXXXX XXXXXXX XXXXXXXX XXXXX XXX XXXXXXX XXXXXXXX XX XXX
 XXXXXXX, XXX XX XXXX XXXXXXX XXXX XXXXXXXXXXXXXXX XX XXXXXXXXXXX XXXXXXX. XX XXX XX X XXXX
 XXXXXXXXXXXXXXX XXX XXXXXXX XXXXXXXX XXX XXXXXXX.

XXXX XXX'XX XXX XXX XXXXX, XXXXXXX XXX XXXXX XXX XXX **XX-X** XXXXXXXXXXX XXX XXX'XX XX XXXX XX
XXX XXXXXXX XX XXXXX XX XXXXXXX.

IN ORDER OF APPEARANCE

The roads you will ride

XX-X

XXXXXXXX XXXX XXXXXXXXXXX XXX XXX XXXXXXXXXXX XX-X XXX XX-X, XXXXXXXXXXX XXXXXXXXXXX XXXXXXXXXXX XXXXXXXXXXX.

XX-XX

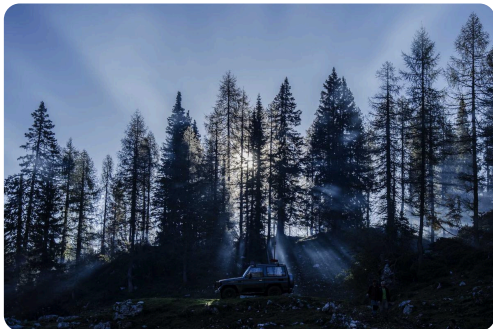
XXXXX XXXXXXX XXXX XXXX XXXXXXX XXXX XXXXXXX XXX XXXXXXXXXXXXXXX XXXX XXX XX-XX.

XX-XX

XXXXXXXXXXXXX XXXX XXXXXXXX XXXXXXX XXX XXX XX-XX.

XX-XX

RATING: 8 / 10



GC 21: CLOSE-UP OF THE VEGETATION IN THE NORTHERNMOST, LOW-ALTITUDE AREA NEAR TEROR

XXXX XXXX XXXX XX XXX XXXXX XX XXX XXXXXXX,
XXXXXX XX XXXX XX XXXXXXX. XX XXXXX XXXXXXX XX
XXXX XXXXXXX, XXXX XXXX XXX XXX XXXXXX. XXXXXXX
XXXXXX XXXXXXXX XXXX XXXXXXXXXXXXXXX, XXXX XX
XXXXXX XXXXXXXX XXXX XXXXXXXXXXXXXXX XXXXX, XX
XXXXXXXXXXXX XXXXX, XXX XXXXXXXX XXXXXXXX
XXXXXXXXXXXXX XX XXX XXXXX XXXXXXX XXXX XXXXX
XX XXX XXXXXXX XXXXXXXX XXXXXXXXXXXXXXX XX XXXXX XX
XXXXXX XX XX XXXXXXXX. XXXX XXXX XXXX XX
XXXXXX X XX/XX. XX'

X XXX XXXXX XXXXX XXX XXXXX XXXXX, XXX XXX XXXX XXXX XX XXXXX XXXXXXXXXXX XXX XXXXX XXXX
XXXX XXXX XXXXX XXXXXXXX XXXXXXXXXXX XXXXX XXX X XXXXXXXXXXX XXXXXXXXXXX. X XXXXXXX: XX'X
XXXXXX XXXX XXXX XXX XXXXXXX XXXXXXX, XX XX'X XX XXXXXXXXXXX XXXXXXX XX X XXXXXXX XXXXX.

XX-XX

RATING: 10 / 10



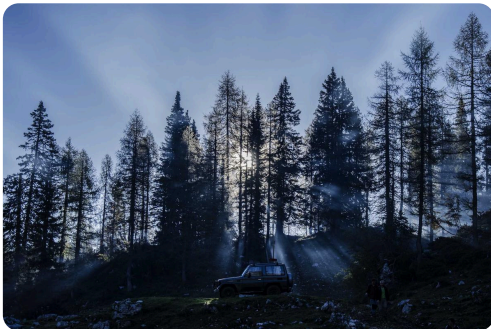
GC-60 VIEW OF THE ROAD JUST BEFORE SAN BARTOLOMÉ DE TIRAJANA

XX XXXXXXXX XXX XXXXX XX "XXXX XXXXXXXXXXX XXXX
XX XXXX XXXXXXXX" XXXX XXX XX-XXX. XXXX XXXX,
XXXXXXXX XX XXXX XXX X XXXX, XX XXXXXXXX
XXXXXXXXXXXX XX XXX XXXXXXX XX XXX XXXXXXX. XXXX
XXXX XXXXXXXX, XXXXXXXX XX XXXX XXXX XXX XXXX
XXXXXXXX XXX XXXXXXX XXXXXXXX. XXXXX XXX XXXXX
XXXXXX XXX XXXX XXXXXXXXXXXX XXX XXXXXX XX XXXXX,
XX XXXXXXXXXXXX XXX XXXXXXXXXXXX XX XXXXXXXXXXX. XXX
XXXXXX XXXX XX XXX XXXX XXXX XXXXXXX XXXXX
XXXXX, XXXXXXXX XXX XX XXX XX XXXX XXXXXX
XXXXXXXXXX XXXXX XX XXX XXXX XXXX XXXXXXX XXX
XXXX XXXXXXXX XXXXXXXX. XXXXXXXX XXXXXXXXXXXX
XXXXXXXXX XXXXXXXX, XXXX XXXX XXX XX XXXXXXXXXXX "

XXXXXX XX XXXXXXXX" XX XXX XXXXXXX XXXXXXX, XXXXX X XXXX "XXX XXXXXXXXXXX XX XXXXXXXXXXX". X
XXXXXXXXXXXX: XXX XXXX XX XXXX XXXX XXX, XXXXXXXX XXXXXXXXXXX XXX XXX XXX XX XXX XXXXXXX XX
XXX XXXXXXX, XX XXXXXXX XXXXXXXX XXXXXXX XXXX. XX XX XXXX XXXXXXXXXXX XXX'XX XXXXXXX XXX X
XXXXXXXX XX XXXXXXXX XXXXXXX XXX XXX, XXXX XXX XX XX XXXXXXXXXXX XXXXXXXXXXX.

XX-XX

RATING: 8 / 10



GC 15: CLOSE-UP OF CURVES AND VEGETATION BELOW CRUZ DE TEJEDA 1

XXXX XXXXXXXXXXXXXXX XXXX: XX XXXXXXX XXXX XXXXXXX
XXXX, XXXXXXX XXXXXXX XXX XXXX XXXXXXX XXX
XXXXXXXXXXXXXXXXXXXX XXXXXX, XXXXX XXXXXXX XXX XXXX
XX XXX XXXXXXX, XXX XXXXXXX XXXXXXX, XXX XX XXX
XXXX XXXXXXX XXX XXXXXXX XXXXXXXX XX XXXX
XXXXXXXX. XXX XXXXXXX XXXX XX X XXX XXXXXXX,
XXXXXX XX XXX XXXXXXXXXXX XXXXXXX, XXXXXXXX XX
XXXXXX XX XXXXXXXXXXXXXXX XXXXXXX XX XXXX XXXX
XXXXXXXX XXX XXXXXXXXXXXXXXXXXXX XXXXXXXXXXX. XXX
XXXXXX XXXX XXXXXXX XX X XXXX XX XXX XXXXXXX:
XXX XXXXXXX, XXXX XXXXXXX, XXX XXXXXXX XXXXX
XXXXXXXX XXXXXXX. X XXX XXXXXXX. XXXXXXXXXXXXXXX, XXX
XXX XXXX XXXXX XXX XXXXXXX XXXX XXX XXXXX XXXX

XXXX XXXXXXXXXXXXXXX XXXXX: XX'X XXXX XXXXX XXXXXXX XXX XXXXX XXXXXXX XX XXX XXXXXXX XX XXXXX XXX
XXXXXX XXXXX XXX XXX.

XX-XXX

RATING: 8 / 10

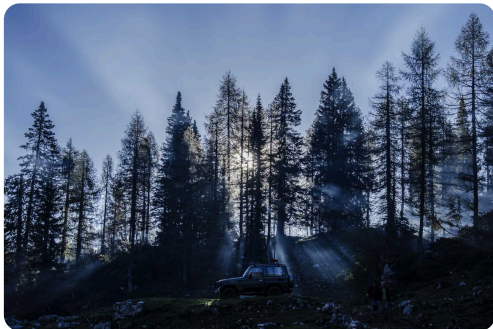


XXXX XXXXXXXXXXX XXXX, XXXXXXXXXXX XXXXX, XXXX
XXXXXXXXXX XXX XX-XX XX XXX XX-XX. XXXXXXX XX XXXX
XXXX, XXX XXXXX XXX XXXX XXXXXXXXXXX XXX XXX XXX XX
XXX XXXXX, XXXX XXXXXXX XXXX XXX XXXXXXX XXXXX-
XXXXXXXX XXXX XX XXXX XXXXXXXXX.

GC 230: A VIEW OF THE ROAD AND THE VEGETATION

XX-XXX

RATING: 9 / 10



XXX XX XXX XXXX XXXX XX XXXX XXXXXXXX: XX
XXXXXXXXXX XXX XXXXXXXXXXX XXXXXXX XXXXXXXXXXXXXXX
XX XXXXX XX XXXXXXX XX XXXX XXX. XXXXX XXX
XXXXXXXX XXX XXX XXXX XXXX XX XXXXXXX, X XXXX
XXXXXXXXXXXX XXXXX XXXX X XXXXXXXXXXXXXXX XXXX, X
XXXXXXXX XXXXX XXXX XXX, XXX XXXX XXXXXXXXXXX
XXXXXXXX XXXXX XXXXXXX XXX XXXXXXXXXXXXXXX. XX
XXXXXXXX XXXX XXXXXXX XXXXXXX XX XXXXXXX X
XXXXXXXXXXXXXXXX XXXX: XXX XXXXXXX XX XXXX XXXX
XXXX XX XXXXXXX XX XXX XXXXXXX XXXXXXX X XXXX
XXXX XXX XXX XXXXXXX XXXX XXXXXXXXXXX XXXX
XXX'XX XXXXXXXXXXX XXX X XXXX XXXX. XXXX XXXX: XX'X
XXX XXXXX!!

GC 150: A CLOSE-UP VIEW OF THE VARIETY OF FLOWERS, SHRUBS, AND PLANT SPECIES ON A LAVA FLOW CROSSED BY THE ROAD

XX-XXX

RATING: 9 / 10



GC 210: A GLIMPSE OF THE WINDING ROADS AND THE VALLEY BETWEEN ARTENARA AND TEJEDA

XXXX XXXXXXXXXXX XXX XXXX-XXXX XXXX XXXX
 XXXXXXXXXXX XXXXXX XX XXXXXXXXXXX XXX XXXX
 XXXXXXXXXXX. XXXXXXXXXXXXXXX XXXXX XXXX XXXXXXX
 XXXXXXXXXXX, XXXX XXXXXXXXXXX XXXXX XX XXXXX.
 XXXXXXXXXXXXXXX XXX XXXXXX XXXX, XX XX XX XXXXXX,
 XX XXX XX XXX XXXX XXXXXXXXXXX XXX XXXXX-
 XXXXXXXXXXX XXXXX XX XXX XXXXXXX. XX'X
 XXXXXXXXXXX XX XXXX XX XXXXXXXXXXX XXXX XXXXXXX
 XXX XX XXXXX XXX XXXX XXXXX, XXXXXXXXXXX XXX XXXX
 XXXXXXX XXXXXXXXXXX. XX XXX XXXXXXXXXXXXXXX XXXX
 XXX XXXX XXXX XX XXXXXX XXXXXXXXXXX, XX XXX
 XXXXXXX XXXXX XXXX XX XXX XXXXXXXXXXXXXXX XXXX.

WHERE TO STOP

Points of Interest



THE SPECTACULAR VIEW OF MOUNT TEIDE FROM THE MONASTERY'S TERRACE

XXXX XX XXXXXX

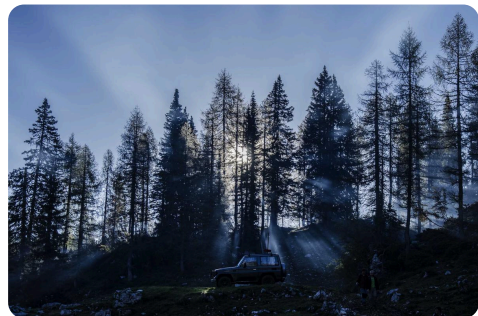
28.0078° N, 15.6° W

XXXXXXXXXXXX XXXXXXXX XXXX XX XXXX XXXXXX
XXXXX XXX XXXXX XX XXX XXXXX XX XXX XXXXXXX. XX
XXXXXXXXXXXXXXXX XXXXX XX XXXXXXX, XXXXXXX, XXX
XXX XXXXX. XXXXX XXXXXXXXX XXX XXXXXXX XXXX XXX
XXXXXXXX XXXXX XX XXX XXXXXXXXXXXXX.

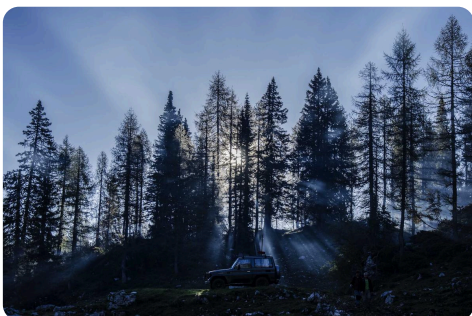
XXXXXX

27.9944° N, 15.6139° W

XXXXX XXXXXXXX XXXX XX XXX XXXXXXX XX XXX
XXXXXXXX XX XXXXX XXXX XXXXXXX. XXXXXXX XX XXX
XXXX XXXXXXXXXXXXXXX XXXXXXX XX XXX XXXXXXX: XXX
XXXXX XXXXX XXX XXX XXXXX XXXXXXXXX. XXXX XX
XXXX XXXXX XXX XXXXXXX XXXXXXXXXXXXX.



TEJEDA: VIEW OF THE TOWN FROM THE LOOKOUT POINT



MIRADOR ASTRONÓMICO DE PINOS DE GÁLDAR: A VIEW OF TENERIFE

XXXXXXXXXXXXXXXXXXXX XX

XXXXX

28.05° N, 15.55° W

XXXXXXXXXX XXXXXXXX XX XXX XXXXXXX XXX XXXXXXX
XX XXXXXXXX XXXXX. XX XXXXXXX X XXXXX XXXX XX
XXXXXXXXXXXXXXXXXXXXXXXX XXXX XXXXXXX XXXXX
XXXXXXXXXXXXXXXXXX. XXXXX XXXXXXXX XXX
XXXXXXXXXXXXXXXX XXXXXXXXXXXXXXXX XX XXX XXXXX XXX.

XXXXXXXX XX XX XXXXXX XXX XXXX

28.0595° N, 15.5482° W

xxx xxxx xxxxxxxxxxx xxxxxxxxxxx xxxxxxxx xx xxxxx xxxxx xx xxx. xxxxxxxxxxx xxxxxxxx-
xxxxxxxxxxxxxxxx xxxxx xxx xxxxxxxxxxx xx xxxxxxxx xxxxxxxxxxxxxxxx. xx xxxxxxxx xx xxxxx xx
xxx xxxxxx xx xxx xxx, xxxxxxxxxxx xx xxx xxxxxxx xxxxx xx xxx xxxxxx.

CITIES AND MOUNTAINS OF THE NORTH — GRAN CANARIA BEST ROADS
END OF THE ROUTE. SEE YOU ON THE NEXT ONE